

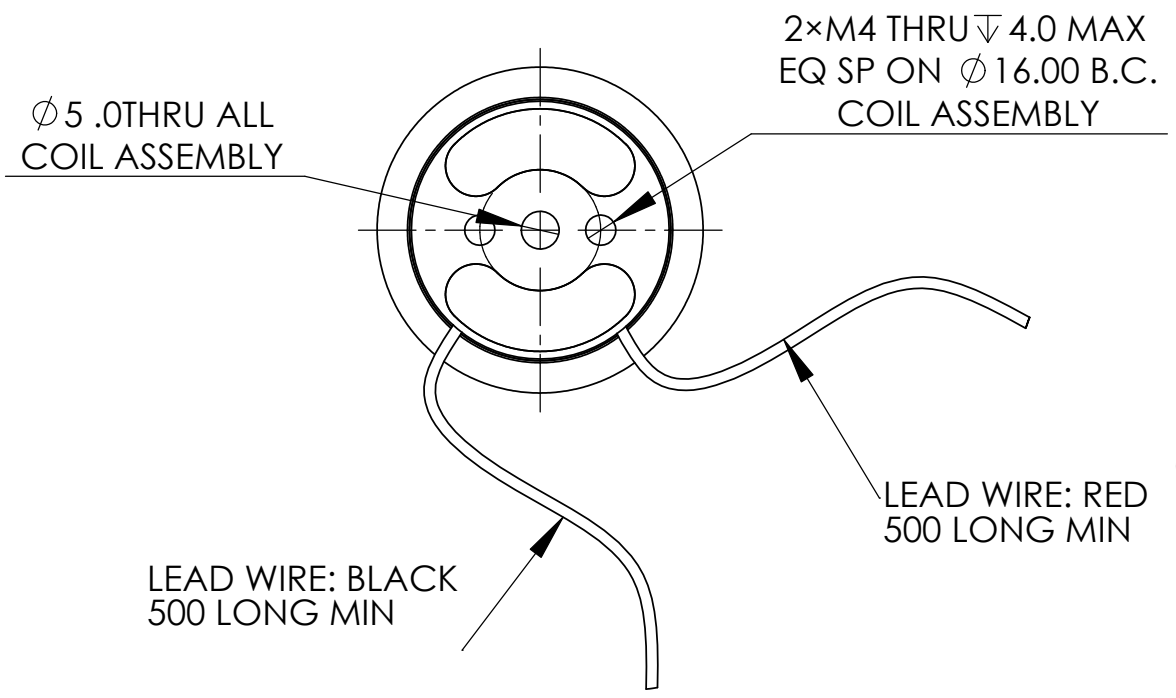
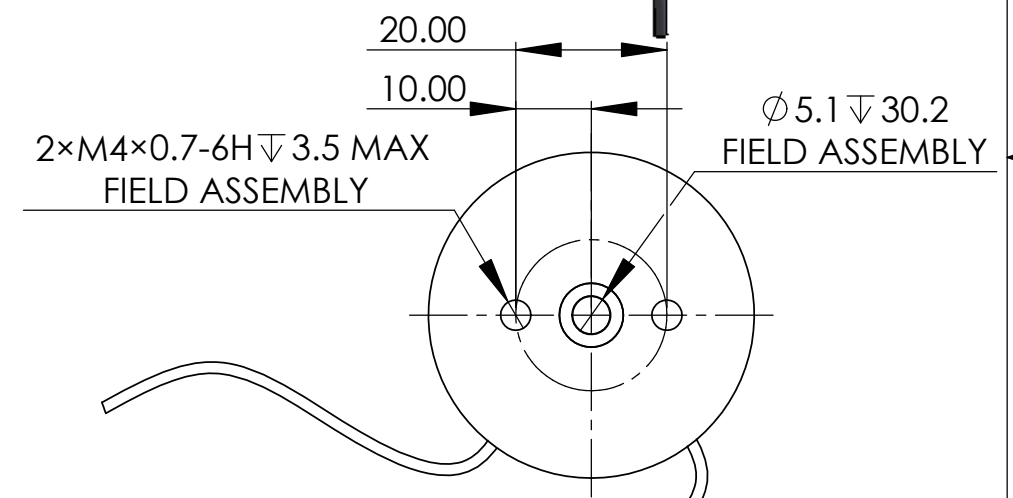
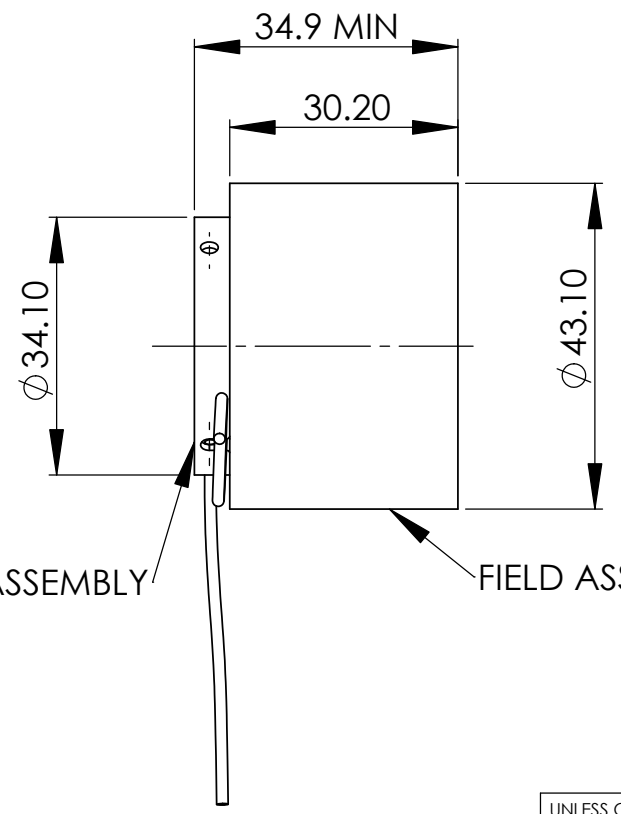
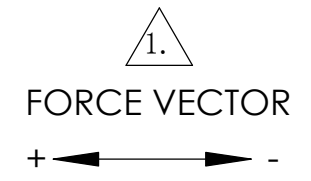
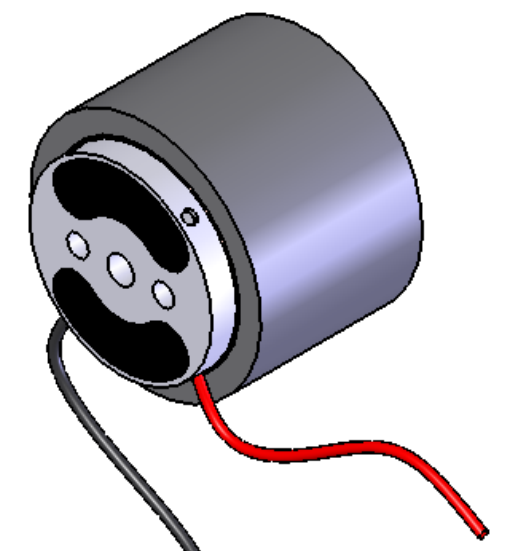
WINDING CONSTANT	TOL	SYM	VALUE	UNITS
DC RESISTANCE	± 10%	R	5.04	OHMS
VOLTAGE @ Fp	NOMINAL	Vp	34.5	VOLTS
CURRENT @ Fp	NOMINAL	Ip	6.85	AMPS
FORCE SENSITIVITY	± 7.5%	Kf	12.7	N / A
BACK EMF CONSTANT	NOMINAL	Kb	12.7	V/M/Sec
INDUCTANCE *****	± 30%	L	1.05	mH

ACTUATOR PARAMETER	SYM	VALUE	UNITS
PEAK FORCE *	Fp	87	N
CONTINUOUS FORCE **	Fc	21.67	N
CONTINUOUS FORCE WITH HEAT SINK	Fc	37.75	N
ACTUATOR CONSTANT	Ka	5.65	N/W
ELECT TIME CONSTANT	Te	0.21	milli-sec
POWER I <sup>2</sup> R@Fp	Pp	237	W
TOTAL STROKE	S	6.2	mm
CLEARANCE ON SIDE OF COIL	CL	0.5	mm
THERMAL RESISTANCE * * *	θth	8.5	C / W
THERMAL RESISTANCE WITH HEAT SINK****	θth	2.8	C / W
MAX WINDING TEMP	Tmax	150	C
WEIGHT OF COIL ASSEMBLY	WTc	45.2	g
WEIGHT OF FIELD ASSEMBLY	Wtf	257.8	g
WEIGHT OF ACTUATOR	WTa	303	g

\* 10 sec @ 25C ambient, 150C coil temp.  
 \*\* 25C ambient, 150C coil temp.  
 \*\*\* In free air.  
 \*\*\*\* Measured with 250×250×10mm heat sink.  
 \*\*\*\*\* Measured with BK PRECISION 875B

REV	ECO NO.	DESCRIPTION	DRN	APP'D	DATE
X1	---	INITIAL RELEASE	WYG	FCL	06/08/24
X2	100036	UPDATE DATA SHEET	WYG	FCL	06/09/29



2.INSULATION RESISANCE:100 MEGOHMS MINIMUM AT 500 VDC.  
 ▲A POSITIVE(+)VOLTAGE APPLIED TO THE RED LEAD WILL PRODUCE A FORCE ON THE COIL ASSEMBLY IN POSITIVE (+) DIRECTION.  
 NOTES:UNLESS OTHERWISE SPECIFIED

UNLESS OTHERWISE SPECIFIED:		NAME	DATE
DIMENSIONS ARE IN MM		DRAWN	WYG 06-08-24
TOLERANCES:		CHECKED	
ANGULAR: MACH±0° 30'		ENG APPR.	FCL 06-08-24
ONE PLACE DECIMAL ±0.25		MFG APPR.	
TWO PLACE DECIMAL ±0.1		Q.A.	
INTERPRET GEOMETRIC TOLERANCING PER:		COMMENTS:	
ANSI Y14.5M-1982.			
DO NOT SCALE DRAWING			

**PROPRIETARY AND CONFIDENTIAL**  
 THE INFORMATION CONTAINED IN THIS DRAWING IS THE SOLE PROPERTY OF USAS MOTION - SUZHOU, CHINA. ANY REPRODUCTION IN PART OR AS A WHOLE WITHOUT THE WRITTEN PERMISSION OF USAS MOTION - SUZHOU, CHINA IS PROHIBITED.



TITLE:		
<b>LINEAR ACTUATOR</b>		
SIZE	DWG. NO.	REV
<b>B</b>	VLR0087-0062-00A	X2
SCALE: 1: 1		SHEET 1 OF 1